

# PLASTIC PALLETS



## INDIA'S LARGEST SELLING INJECTION MOULDED PALLETS

**Supreme** presents modern technology Injection moulded plastic pallets, designed to increase the efficiency in storage & product distribution system while ensuring human & product safety.

### THE CORRECT WAY FOR USING PALLET



Normal Temperature



Proper Handling



Unified Load

### THE INCORRECT WAY FOR USING PALLET



Insolation



Wild Operation



Unequal Force

### ADVANTAGE OF SUPREME PLASTIC PALLETS



Environment



Sanitation



Durable



No Need Repair



Moth Proffing

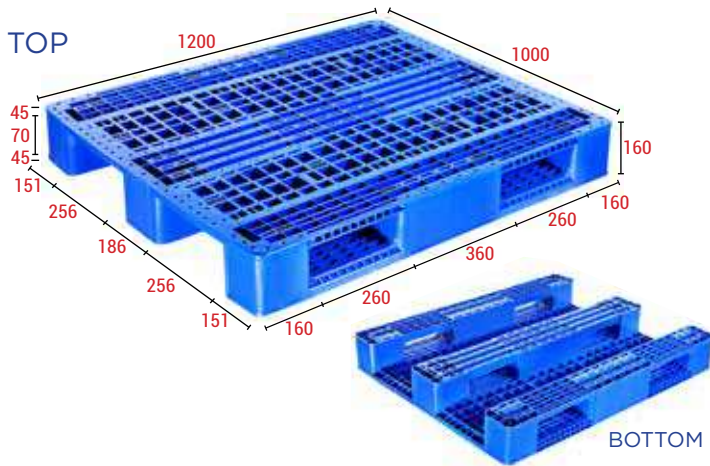


4 Way



recycle

Material Handling Pallets *Handle without care!*



### SIM121016 PDSS HW

(Supreme Injection Moulded Perforated Deck Single Side Heavy Weight)

Dimension	1200x1000x160 (mm)	Static	6000 kg. unified load
Material	HDPE/PP	Dynamic	upto 1000-1200 kg. unified load
Colour	Blue / Grey / Green	Racking	upto 1000-1200 kg. unified load



4-Way



2-Way



2-Way

### SIM121016 PDSS MW

(Supreme Injection Moulded Perforated Deck Single Side Medium Weight)

Dimension	1200x1000x160 (mm)	Static	5000 kg. unified load
Material	HDPE/PP	Dynamic	upto 1000 kg. unified load
Colour	Blue / Grey / Green	Racking	upto 1000 kg. unified load



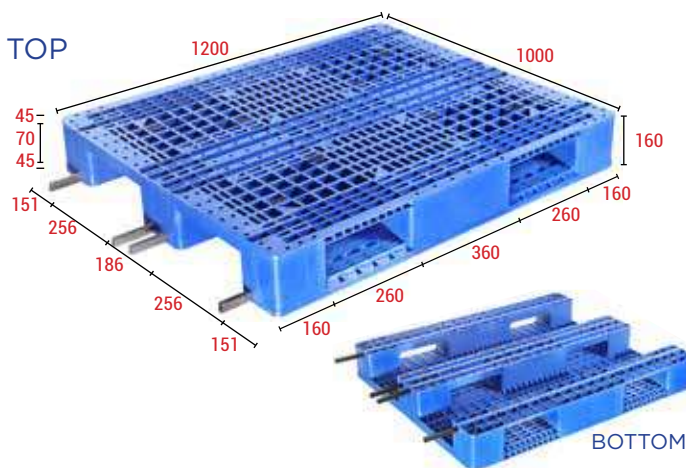
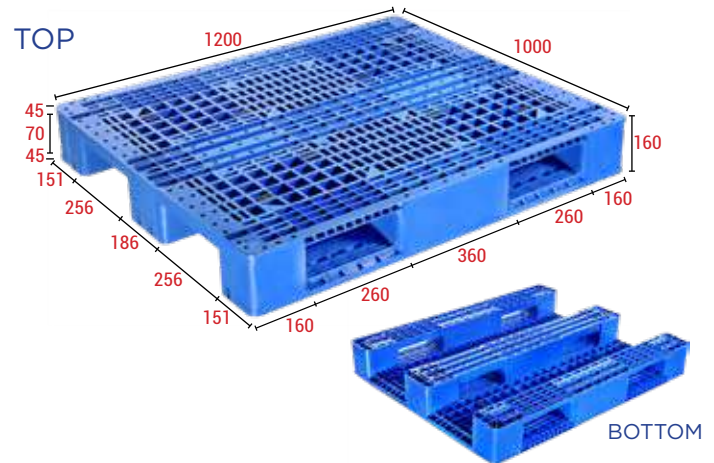
4-Way



2-Way



2-Way



### SIM121016 PDSS SR

(Supreme Injection Moulded Steel Reinforced Perforated Deck Single Side)

Dimension	1200x1000x160 (mm)	Static	6000 kg. unified load
Material	HDPE/PP	Dynamic	upto 1000 kg. unified load
Colour	Blue / Grey / Green	Racking	upto 1000 kg. unified load



4-Way



2-Way



2-Way

### SIM121016 AR PDSS

(Supreme Injection Moulded Arrow Perforated Deck Single Side)

Dimension	1200x1000x160 (mm)	Static	4000 kg. unified load
Material	HDPE/PP	Dynamic	upto 1000 kg. unified load
Colour	Blue / Grey / Green	Racking	upto 1000 kg. unified load



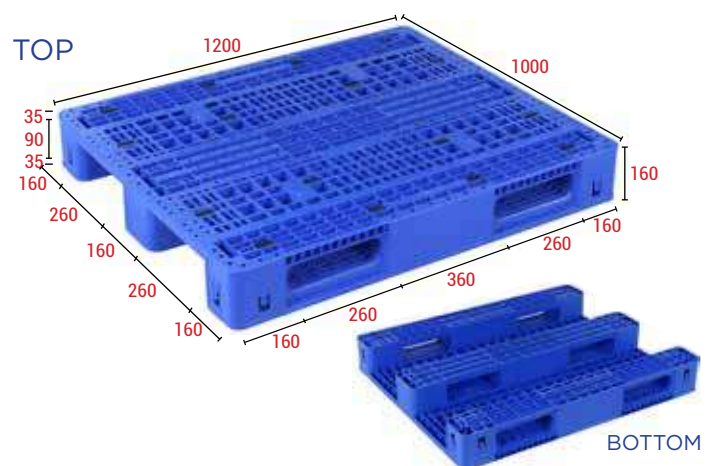
4-Way



2-Way



2-Way



## SIM121016 AR PDSS LW

(Supreme Injection Moulded Arrow Perforated Deck Single Side Low Weight)

Dimension	1200x1000x160 (mm)	Static	2000 kg. unified load
Material	HDPE/PP	Dynamic	500 kg. unified load
Colour	Blue / Grey / Green	Racking	500 kg. unified load



4-Way

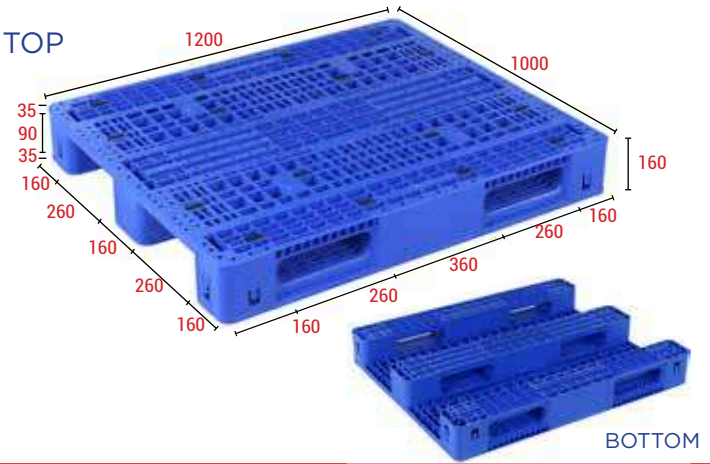


2-Way



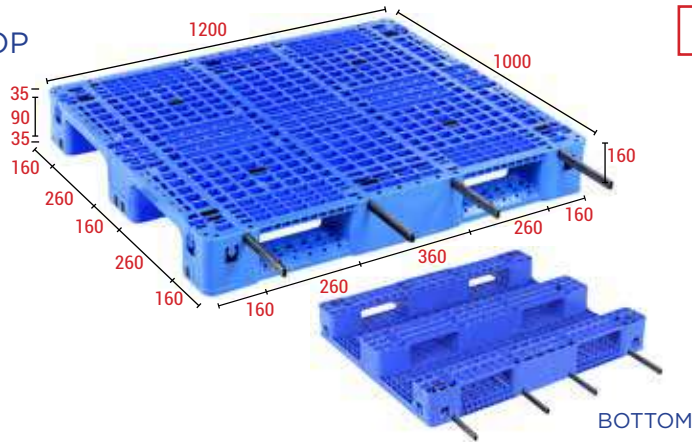
2-Way

TOP



BOTTOM

TOP



BOTTOM

## SIM121016 AR PDSS 4SR LS (MW)

(Supreme Injection Moulded Arrow Perforated Deck Single Side 4 Steel Reinforced Length Side, Medium Weight)

Dimension	1200x1000x160 (mm)	Static	3000 kg. unified load
Material	HDPE/PP	Dynamic	1000 kg. unified load
Colour	Blue / Grey / Green	Racking	500 kg. unified load



4-Way



2-Way



2-Way

## SIM121016 AR PDSS 4SR WS (MW)

(Supreme Injection Moulded Arrow Perforated Deck Single Side 4 Steel Reinforced Width Side, Medium Weight)

Dimension	1200x1000x160 (mm)	Static	3000 kg. unified load
Material	HDPE/PP	Dynamic	750 kg. unified load
Colour	Blue / Grey / Green	Racking	500 kg. unified load



4-Way

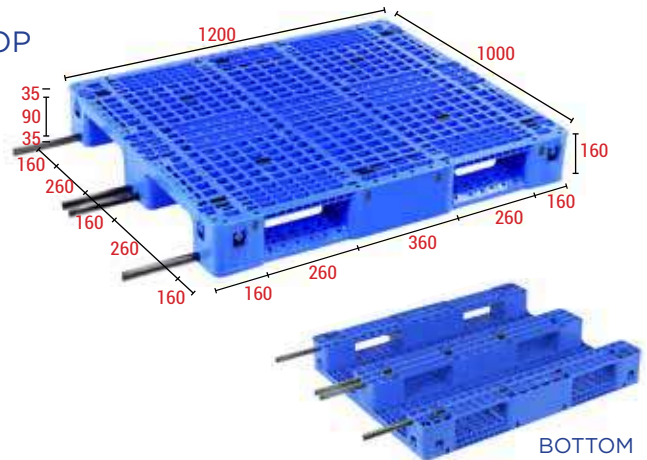


2-Way



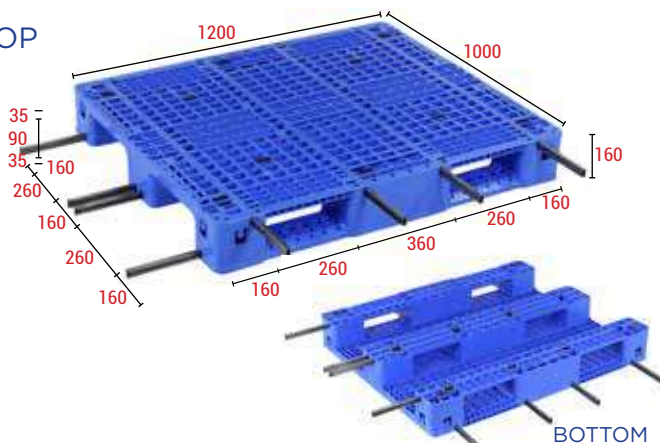
2-Way

TOP



BOTTOM

TOP



BOTTOM

## SIM121016 AR PDSS 8 SR

(Supreme Injection Moulded Arrow Perforated Deck 8 Steel Reinforced Single Side)

Dimension	1200x1000x160 (mm)	Static	6000 kg. unified load
Material	HDPE/PP	Dynamic	1500 kg. unified load
Colour	Blue / Grey / Green	Racking	1200 kg. unified load



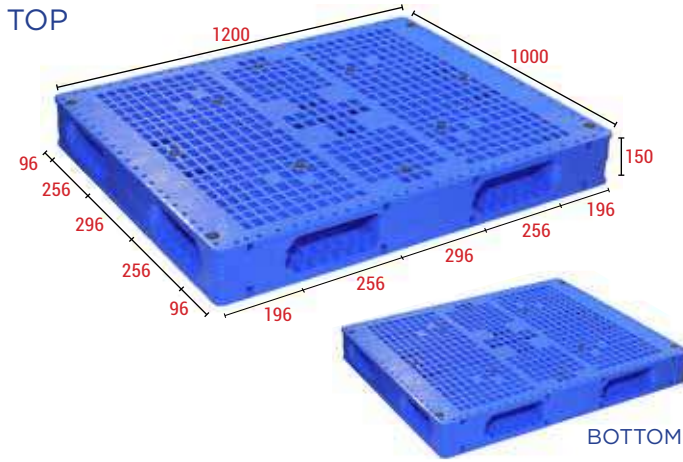
4-Way



2-Way



2-Way



**SIM121015 PDR** **PERFORATED DECK REVERSIBLE**

(Supreme Injection Moulded Perforated Deck Reversible)

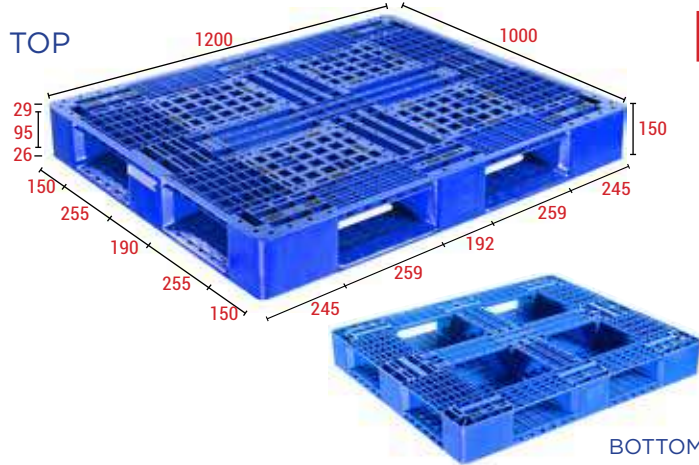
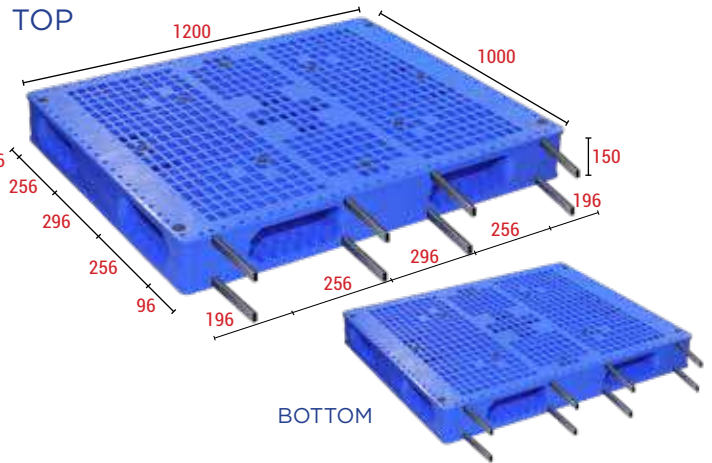
Dimension	1200x1000x150 (mm)	Static	4000 kg. unified load
Material	HDPE/PP	Dynamic	1000 kg. unified load
Colour	Blue / Grey / Green	Racking	800 kg. unified load



**SIM121015 PDR SR** **PERFORATED DECK REVERSIBLE**

(Supreme Injection Moulded Perforated Deck Reversible)

Dimension	1200x1000x150 (mm)	Static	6000 kg. unified load
Material	HDPE/PP	Dynamic	1500 kg. unified load
Colour	Blue / Grey / Green	Racking	1200 kg. unified load



**SIM121015 PDD MW** **DOUBLE DECK**

(Supreme Injection Moulded Perforated Double Deck Medium Weight)

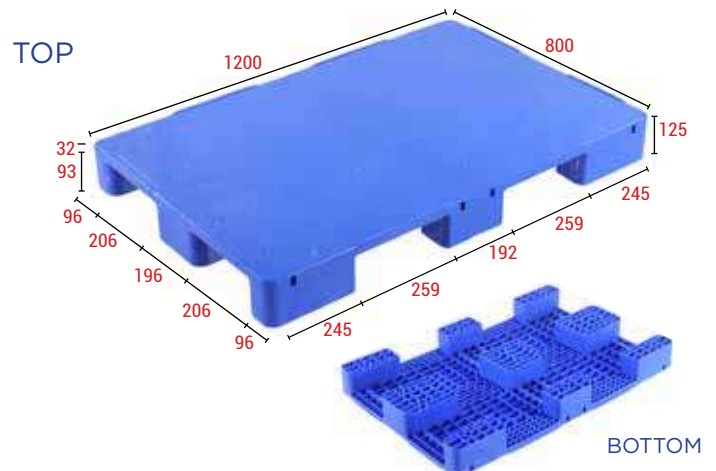
Dimension	1200x1000x150 (mm)	Static	4000 kg. unified load
Material	HDPE/PP	Dynamic	800 kg. unified load
Colour	Blue / Grey / Green	Racking	700 kg. unified load



**SIM1280125 CDSS 9L**

(Supreme Injection Moulded Close Deck Single Side 9 Legs)

Dimension	1200x800x125 (mm)	Static	2500 kg. unified load
Material	HDPE/PP	Dynamic	500 kg. unified load
Colour	Blue / Grey / Green	Racking	N/A



## SIM1280125 CDSS SR 9L

(Supreme Injection Moulded Steel Reinforced Close Deck Single Side 9 Legs)

Dimension	1200x800x125 (mm)	Static	2500 kg. unified load
Material	HDPE/PP	Dynamic	upto700 kg. unified load
Colour	Blue / Grey / Green	Racking	N/A



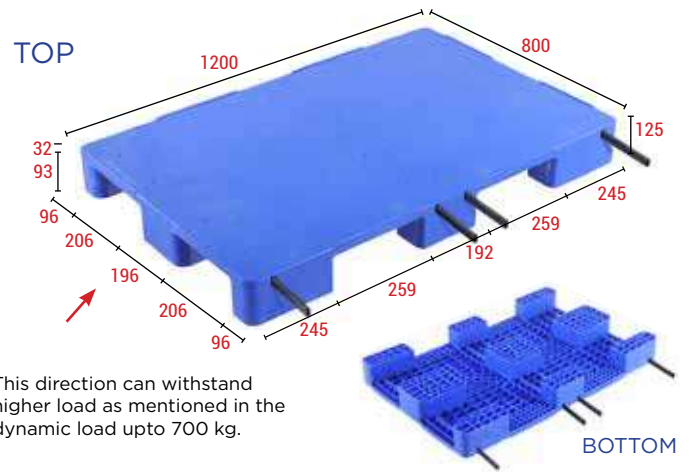
4-Way



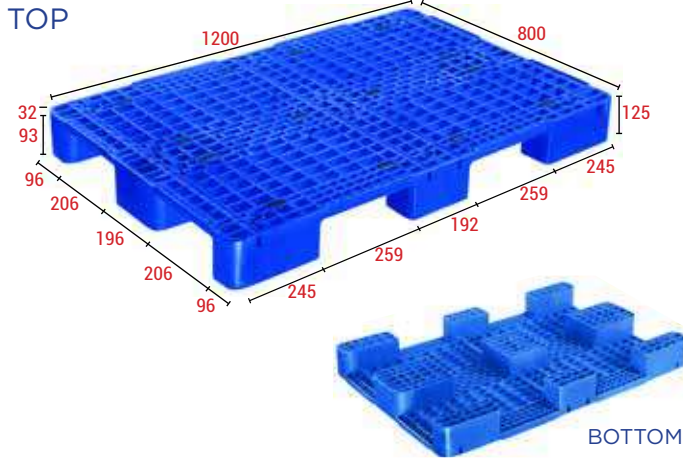
4-Way



4-Way



This direction can withstand higher load as mentioned in the dynamic load upto 700 kg.



## SIM1280125 PDSS 9L

(Supreme Injection Moulded Perforated Deck Single Side 9 Legs)

Dimension	1200x800x125 (mm)	Static	2000 kg. unified load
Material	HDPE/PP	Dynamic	500 kg. unified load
Colour	Blue / Grey / Green	Racking	N/A



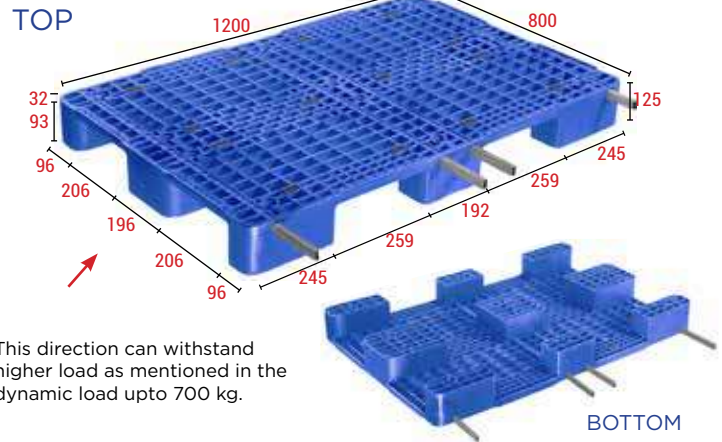
4-Way



4-Way



4-Way



This direction can withstand higher load as mentioned in the dynamic load upto 700 kg.

## SIM1280125 PDSS SR 9L

(Supreme Injection Moulded Steel Reinforced Perforated Deck Single Side 9 Legs)

Dimension	1200x800x125 (mm)	Static	2500 kg. unified load
Material	HDPE/PP	Dynamic	upto 700 kg. unified load
Colour	Blue / Grey / Green	Racking	N/A



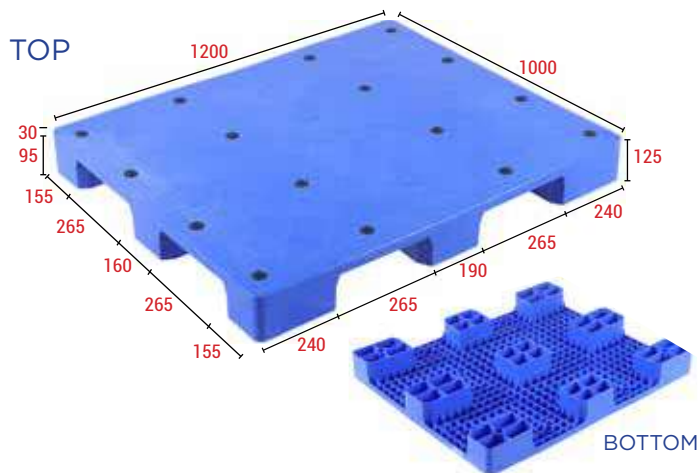
4-Way



4-Way



4-Way



## SIM1210125 CDSS 9L

(Supreme Injection Moulded Close Deck Single Side 9 Legs)

Dimension	1200x1000x125 (mm)	Static	3000 kg. unified load
Material	HDPE/PP	Dynamic	750 kg. unified load
Colour	Blue / Grey / Green	Racking	N/A



4-Way

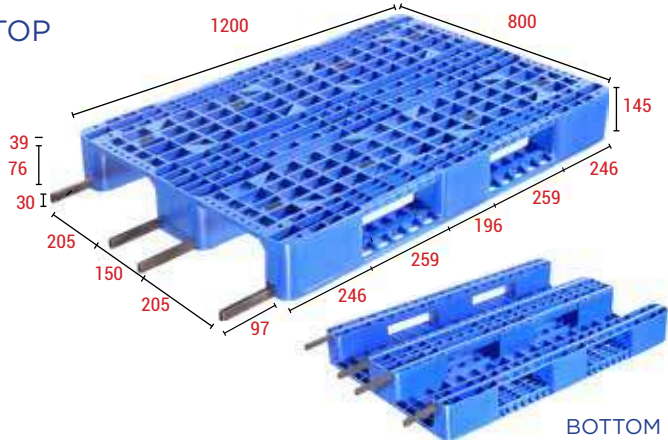


4-Way



4-Way

TOP



BOTTOM

### SIM1280145 PDSS SR

(Supreme Injection Moulded Three Runner Steel Reinforced Perforated Deck Single Side)

Dimension	<b>1200x800x145 (mm)</b>	Static	<b>2000 kg. unified load</b>
Material	<b>HDPE/PP</b>	Dynamic	<b>500 kg. unified load</b>
Colour	<b>Blue / Grey / Green</b>	Racking	<b>500 kg. unified load</b>



4-Way



2-Way



2-Way

### SIM1280165 PDSS 3S

(Supreme Injection Moulded Perforated Deck Single Side with 3 Detachable Skids)

Dimension	<b>1200x800x165 (mm)</b>	Static	<b>2500 kg. unified load</b>
Material	<b>HDPE/PP</b>	Dynamic	<b>upto 750 kg. unified load</b>
Colour	<b>Blue / Grey / Green</b>	Racking	<b>upto 500 kg. unified load</b>



4-Way

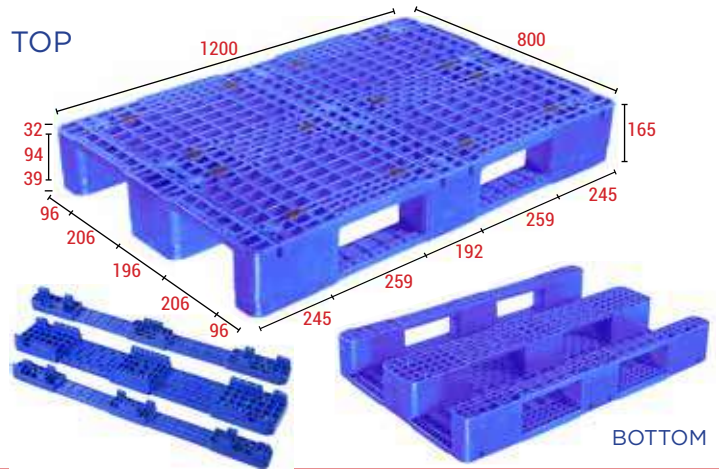


2-Way



2-Way

TOP



BOTTOM

### SIM1280165 PDSS SR 3S

(Supreme Injection Moulded Steel Reinforced Perforated Deck Single Side with 3 Detachable Skids)

Dimension	<b>1200x800x165 (mm)</b>	Static	<b>2500 kg. unified load</b>
Material	<b>HDPE/PP</b>	Dynamic	
Colour	<b>Blue / Grey / Green</b>	Racking	<b>upto 500 kg. unified load</b>



4-Way



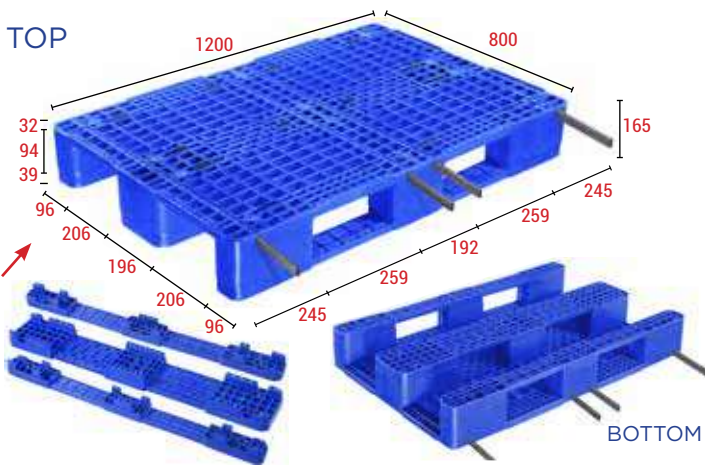
2-Way



2-Way

➔ This direction can withstand higher load as mentioned in the dynamic load upto 1000 kg.

TOP



BOTTOM

### SIM1280165 CDSS 3S

(Supreme Injection Moulded Perforated Deck Single Side with 3 Detachable Skids)

Dimension	<b>1200x800x165 (mm)</b>	Static	<b>2500 kg. unified load</b>
Material	<b>HDPE/PP</b>	Dynamic	<b>upto 700 kg. unified load</b>
Colour	<b>Blue / Grey / Green</b>	Racking	<b>upto 500 kg. unified load</b>



4-Way

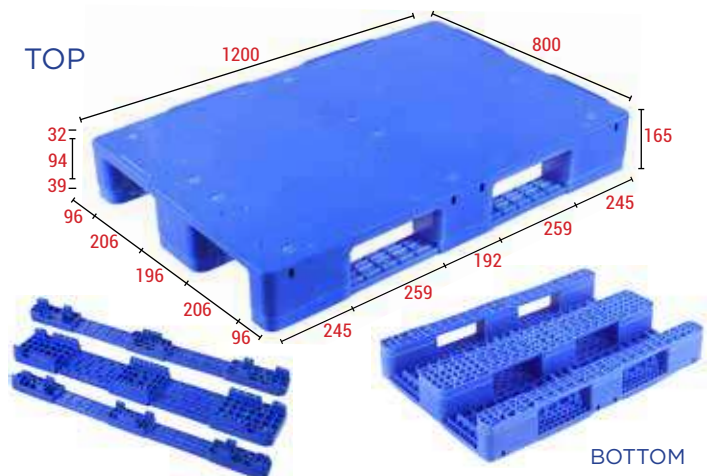


2-Way



2-Way

TOP



BOTTOM

## SIM1280165 CDSS SR 3S

(Supreme Injection Moulded Arrow Perforated Deck Single Side Low Weight)

Dimension	<b>1200x800x165 (mm)</b>	Static	<b>2500 kg. unified load</b>
Material	<b>HDPE/PP</b>	Dynamic	<b>upto 1000 kg. unified load</b>
Colour	<b>Blue / Grey / Green</b>	Racking	<b>upto 500 kg. unified load</b>



4-Way

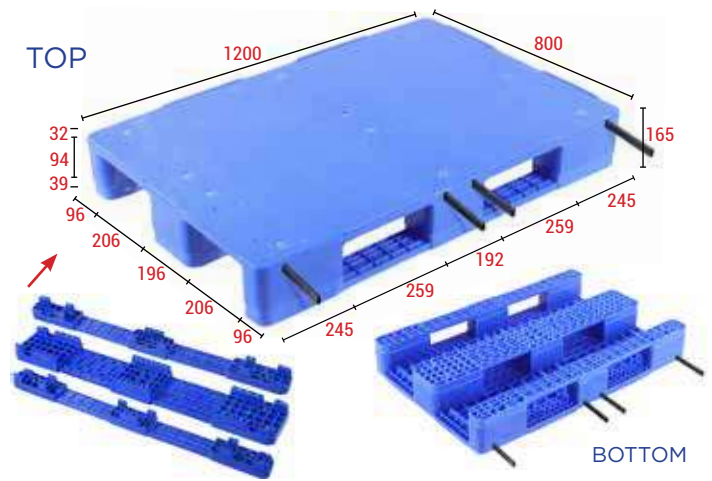


2-Way

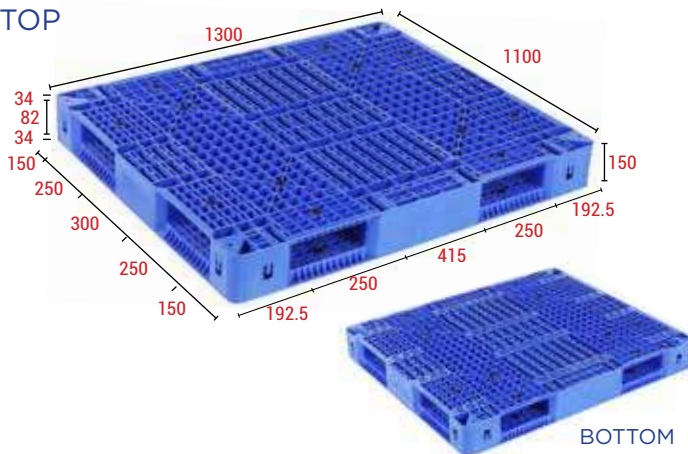


2-Way

↗ This direction can withstand higher load as mentioned in the dynamic load upto 1000 kg.



TOP



## SIM131115 PDD (Reversible)

**DOUBLE DECK**

(Supreme Injection Moulded Perforated Double Deck)

Dimension	<b>1300x1100x150 (mm)</b>	Static	<b>6000 kg. unified load</b>
Material	<b>HDPE/PP</b>	Dynamic	<b>1500 kg. unified load</b>
Colour	<b>Blue / Grey / Green</b>	Racking	<b>upto 1000 kg. unified load</b>



4-Way



2-Way



2-Way

## SIM1280145 PDSS EXP

**One Time Use Only**

(Supreme Injection Moulded Perforated Deck Single Side, Export Purpose)

Dimension	<b>1200x800x145 (mm)</b>	Static	<b>2000 kg. unified load</b>
Material	<b>HDPE/PP</b>	Dynamic	<b>upto 1000 kg. unified load</b>
Colour	<b>Blue / Grey / Green</b>	Racking	<b>N/A</b>



4-Way



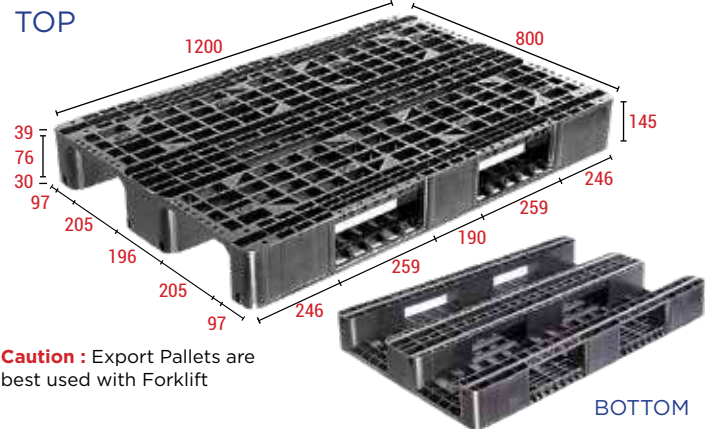
2-Way



2-Way

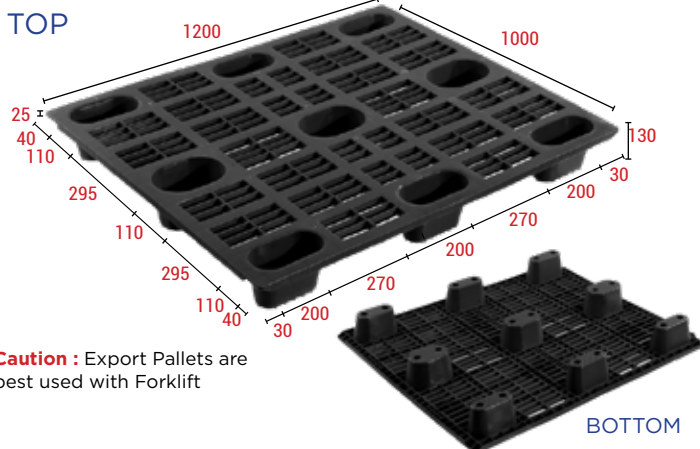
⚠ **Caution** : Export Pallets are best used with Forklift

TOP



⚠ **Caution** : Export Pallets are best used with Forklift

TOP



⚠ **Caution** : Export Pallets are best used with Forklift

## SIM121013 PDN 9L EXP

**One Time Use Only**

(Supreme Injection Moulded Export Purpose Perforated Deck Nestable 9 Legs)

Dimension	<b>1200x1000x130 (mm)</b>	Static	<b>2000 kg. unified load</b>
Material	<b>HDPE/PP</b>	Dynamic	<b>1000 kg. unified load</b>
Colour	<b>Blue / Grey / Green</b>	Racking	<b>N/A</b>



4-Way



4-Way



4-Way

⚠ **Caution** : Export Pallets are best used with Forklift

## SIM121012 PDD LW

One Time Use Only

(Supreme Injection Moulded Perforated Double Deck Light Weight)

Dimension	1200x1000x120 (mm)	Static	2000 kg. unified load
Material	HDPE/PP	Dynamic	1000 kg. unified load
Colour	Blue / Grey / Green	Racking	N/A



4-Way

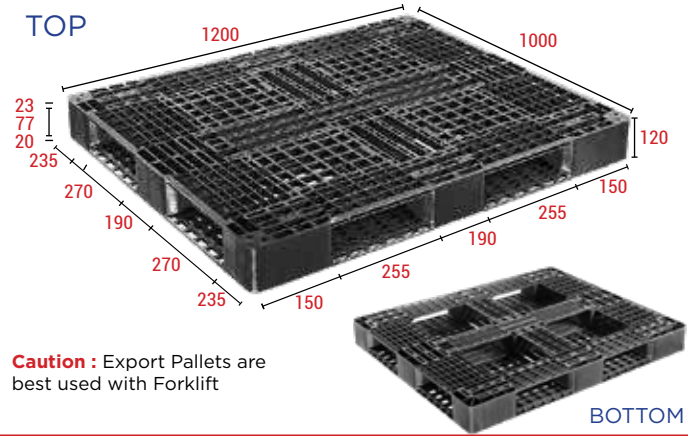


2-Way



2-Way

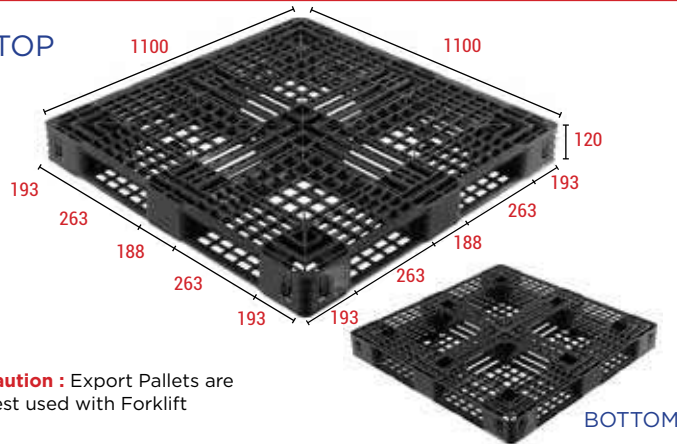
TOP



Caution : Export Pallets are best used with Forklift

BOTTOM

TOP



Caution : Export Pallets are best used with Forklift

BOTTOM

## SIM11112 PDD EXP

One Time Use Only

(Supreme Injection Moulded Export Purpose Perforated Double Deck)

Dimension	1100x1100x120 (mm)	Static	2000 kg. unified load
Material	HDPE/PP	Dynamic	1000 kg. unified load
Colour	Blue / Grey / Green	Racking	N/A



4-Way



N/A



N/A

## SIM11115 PDD EXP

One Time Use Only

(Supreme Injection Moulded Export Purpose Perforated Double Deck)

Dimension	1100x1100x150 (mm)	Static	2000 kg. unified load
Material	HDPE/PP	Dynamic	1000 kg. unified load
Colour	Blue / Grey / Green	Racking	N/A



4-Way

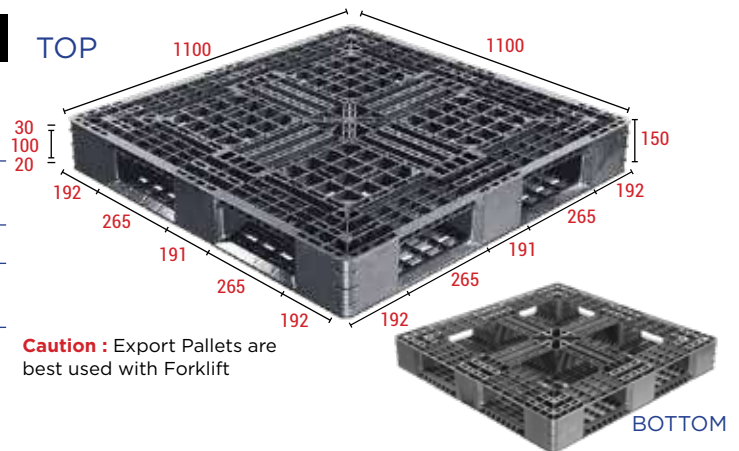


N/A



N/A

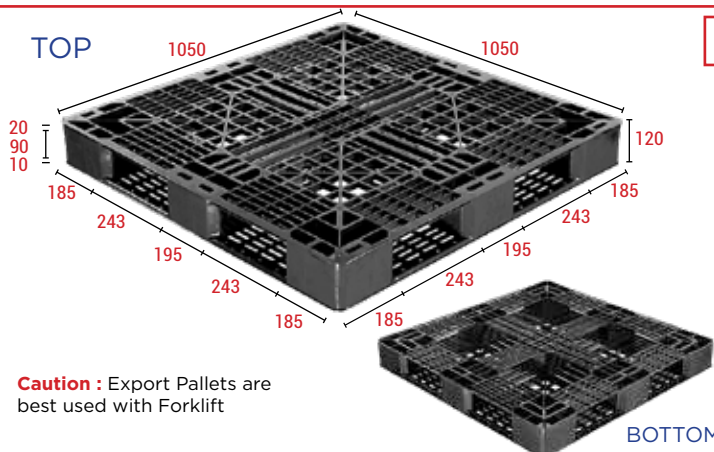
TOP



Caution : Export Pallets are best used with Forklift

BOTTOM

TOP



Caution : Export Pallets are best used with Forklift

BOTTOM

## SIM105105 PDD EXP

One Time Use Only

(Supreme Injection Moulded export Purpose Perforated Double Deck)

Dimension	1050x1050x120 (mm)	Static	2000 kg. unified load
Material	HDPE/PP	Dynamic	1000 kg. unified load
Colour	Blue / Grey / Green	Racking	N/A



4-Way



2-Way



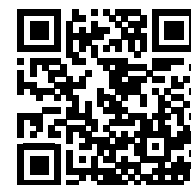
2-Way

**Supreme**<sup>®</sup>  
People who know plastics best

THE SUPREME INDUSTRIES LIMITED

Email : [info@supreme.co.in](mailto:info@supreme.co.in)

Website : [www.supreme.co.in](http://www.supreme.co.in)



scan QR code  
for contact  
details